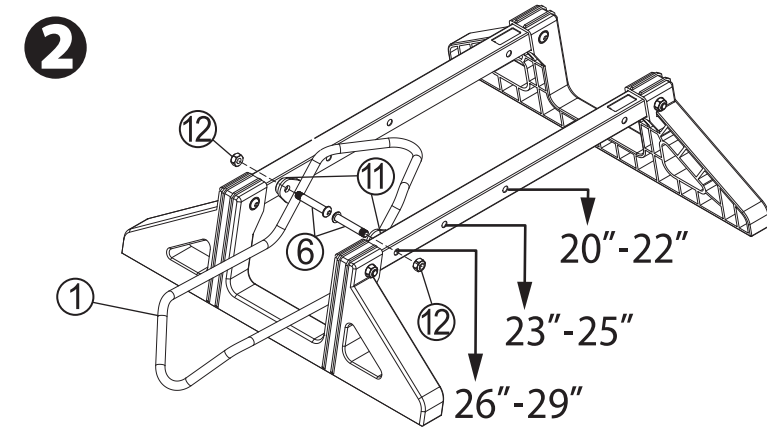
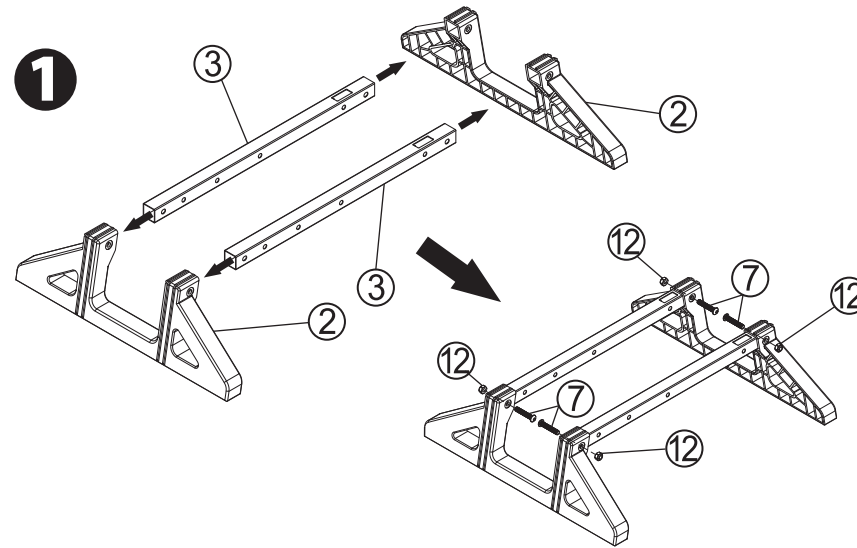
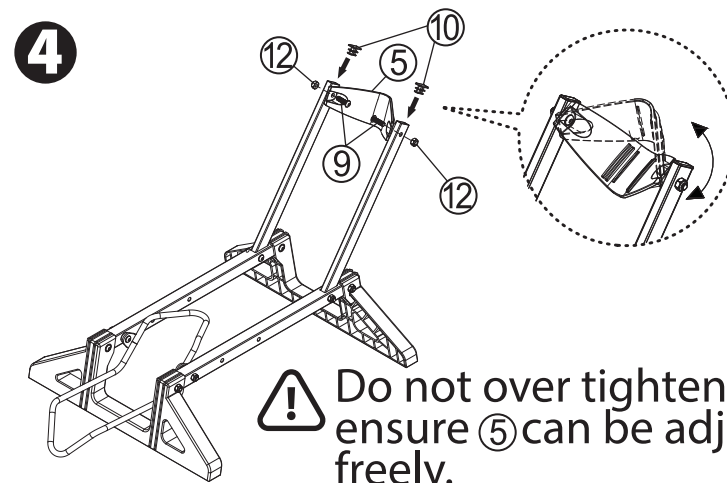
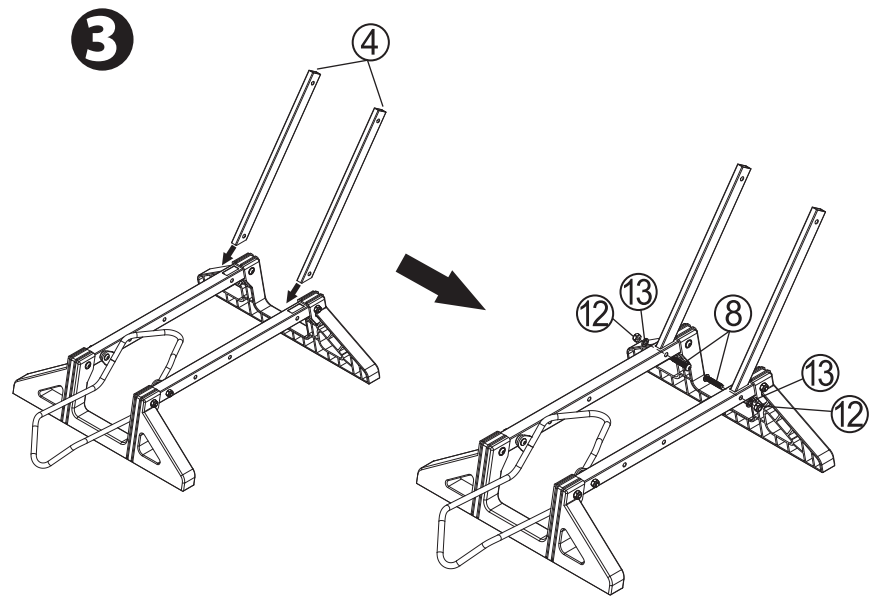


Please prepare a 4 mm hex key and a 10 mm open-end wrench.



Applicable wheel sizes



⚠ Do not over tighten ⑨ to ensure ⑤ can be adjusted freely.

