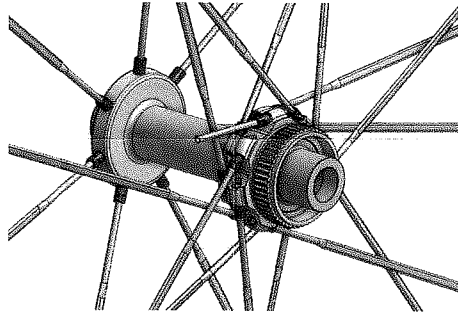


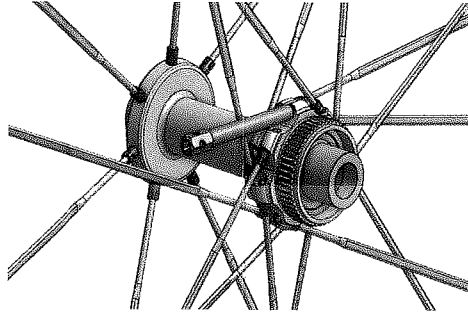
Replacement of VONOA spoke

90954 NEWMEN Spoke Removal Tool VONOA

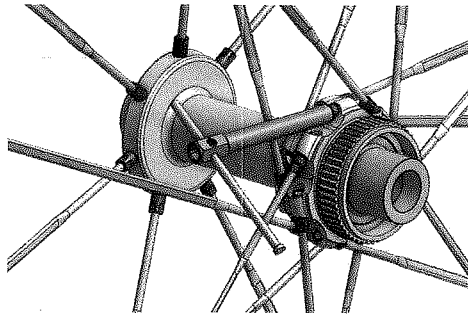
1. The defective spoke must be cutted off as close as possible to the hub thread.



2. Place the NEWMEN Spoke Removal Tool VONOA over the spoke so that the square of the tool slides onto the square of the spoke thread.



3. Insert the enclosed pin into the tool and unscrew the defective spoke carefully piece by piece.



To fit in a new spoke, please clean the thread in the hub, apply Loctite 243 to the spoke thread and turn the spoke into the hub.