

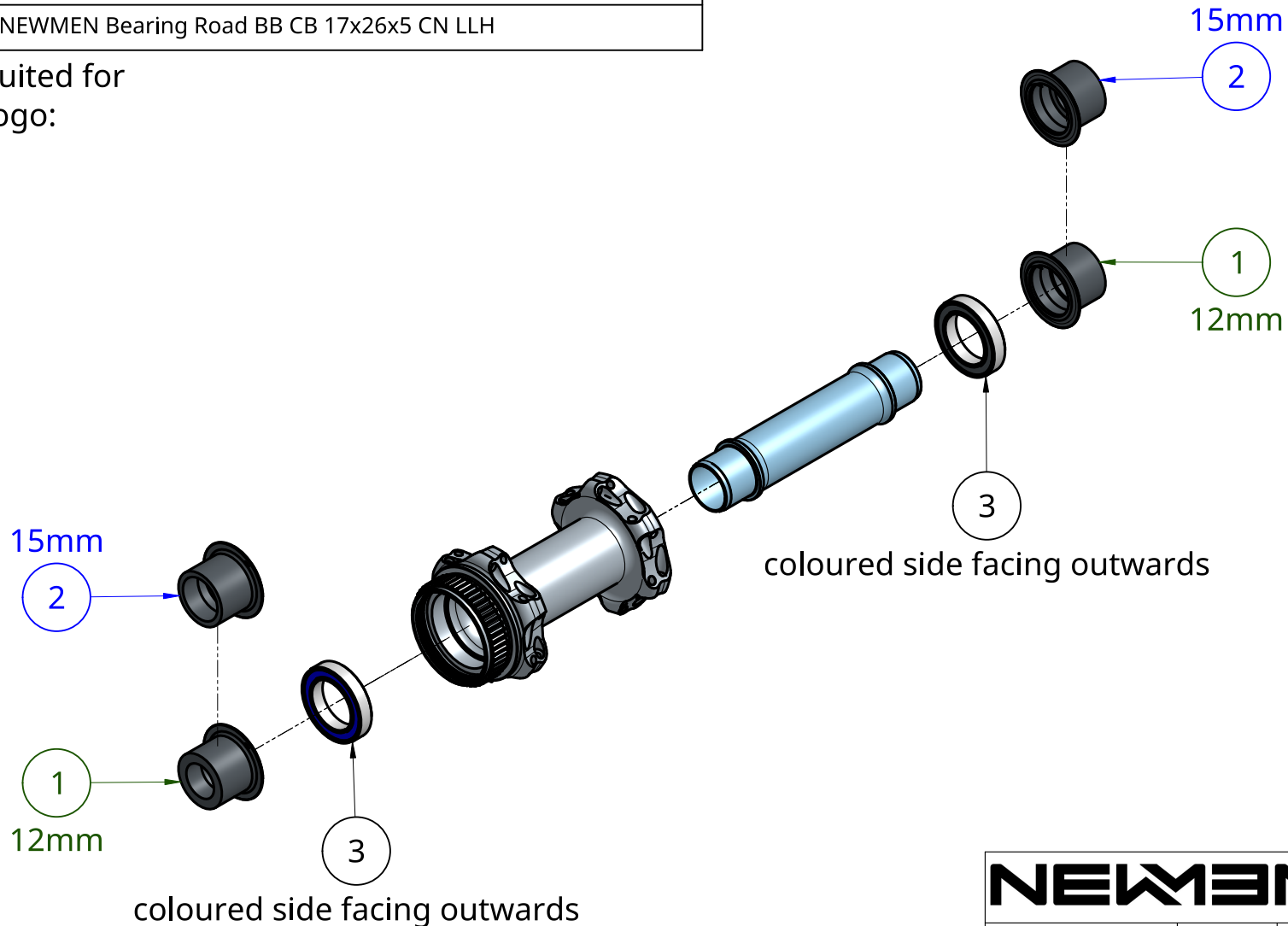
## NEWMEN front hub FADE R 24/28 spoke holes spare parts

POS	ITEM	Description
1	90720	NEWMEN Fade Road/Gravel Endcap Set 12mm OD 19 mm
2	90719	NEWMEN Fade Road/Gravel Endcap Set 15mm OD 19 mm
3	90286	NEWMEN Bearing Road BB CB 17x26x5 CN LLH

spare parts are suited for hubs with laser logo:



Recommended tools for hub service:  
 90166 - NEWMEN Endcap Removal Tool 2  
 90153 - NEWMEN Hub Tooling Set V2

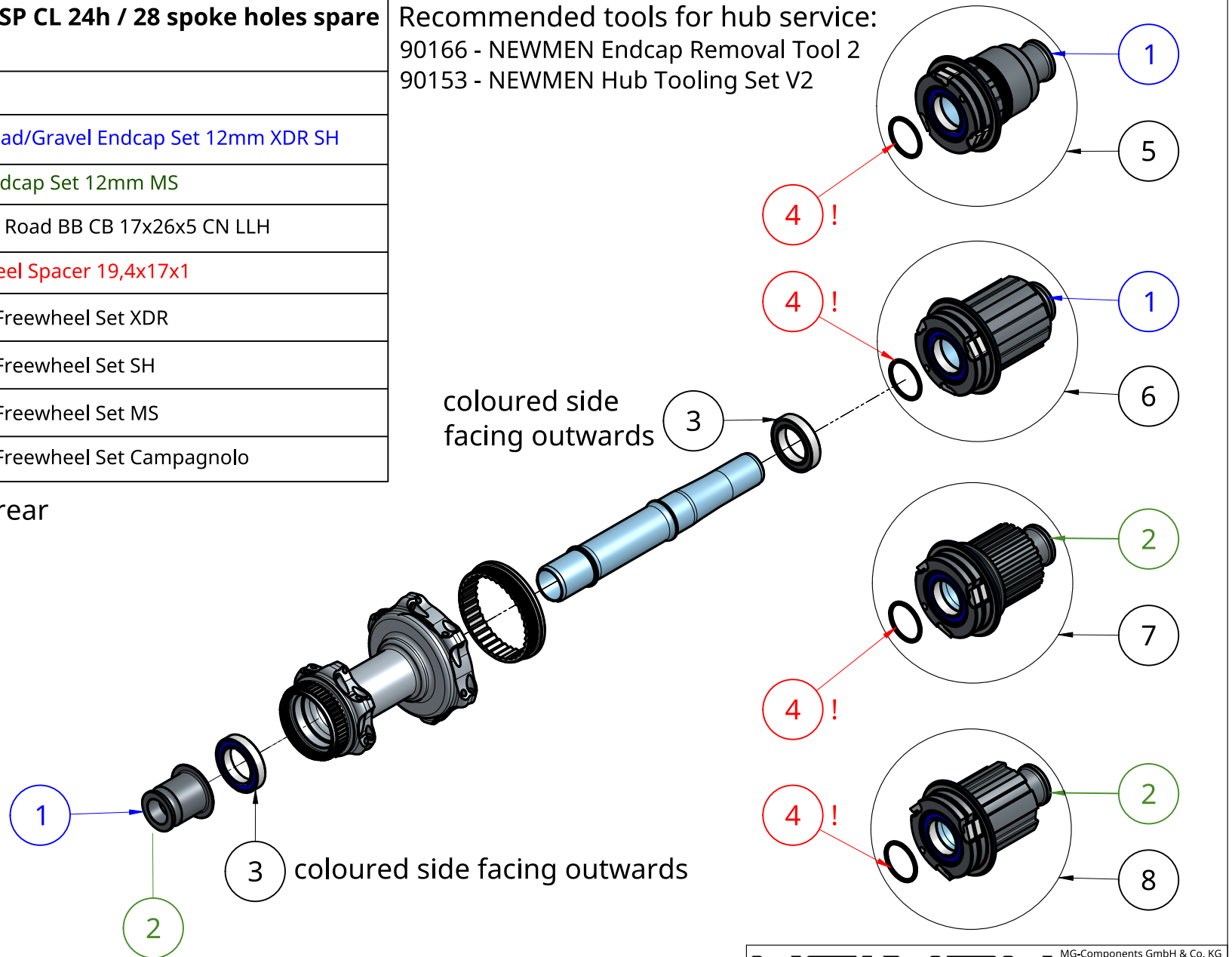


<b>NEWMEN</b>		MG-Components GmbH & Co. KG Am Mühlbach 5c 87487 Wiggensbach Germany	
DO NOT SCALE DRAWING	SIZE: A4	SCALE: 1:2	SHEET 1 of 3
Alle Informationen unter Vorbehalt. Wir behalten uns Änderungen vor All information subject to change. We reserve the right to make changes			drawing date: 2023-12-14

**NEWMEN Hub Fade R 12x142 SP CL 24h / 28 spoke holes spare parts**

POS	ITEM	Description
1	90716	NEWMEN Fade Road/Gravel Endcap Set 12mm XDR SH
2	90717	NEWMEN Fade Endcap Set 12mm MS
3	90286	NEWMEN Bearing Road BB CB 17x26x5 CN LLH
4	90921	NEWMEN Freewheel Spacer 19,4x17x1
5	90917	NEWMEN Fade R Freewheel Set XDR
6	90918	NEWMEN Fade R Freewheel Set SH
7	90919	NEWMEN Fade R Freewheel Set MS
8	90920	NEWMEN Fade R Freewheel Set Campagnolo

spare parts are suited for rear hubs with laser logo:



detailed freewheel explosion view see sheet 3

<b>NEWMEN</b>		MG-Components GmbH & Co. KG Am Mühlbach 5c 87487 Wiggensbach Germany	
DO NOT SCALE DRAWING	SIZE: A4	SCALE: 2:5	SHEET 2 of 3
Alle Informationen unter Vorbehalt. Wir behalten uns Änderungen vor All information subject to change. We reserve the right to make changes			drawing date: 2023-12-14

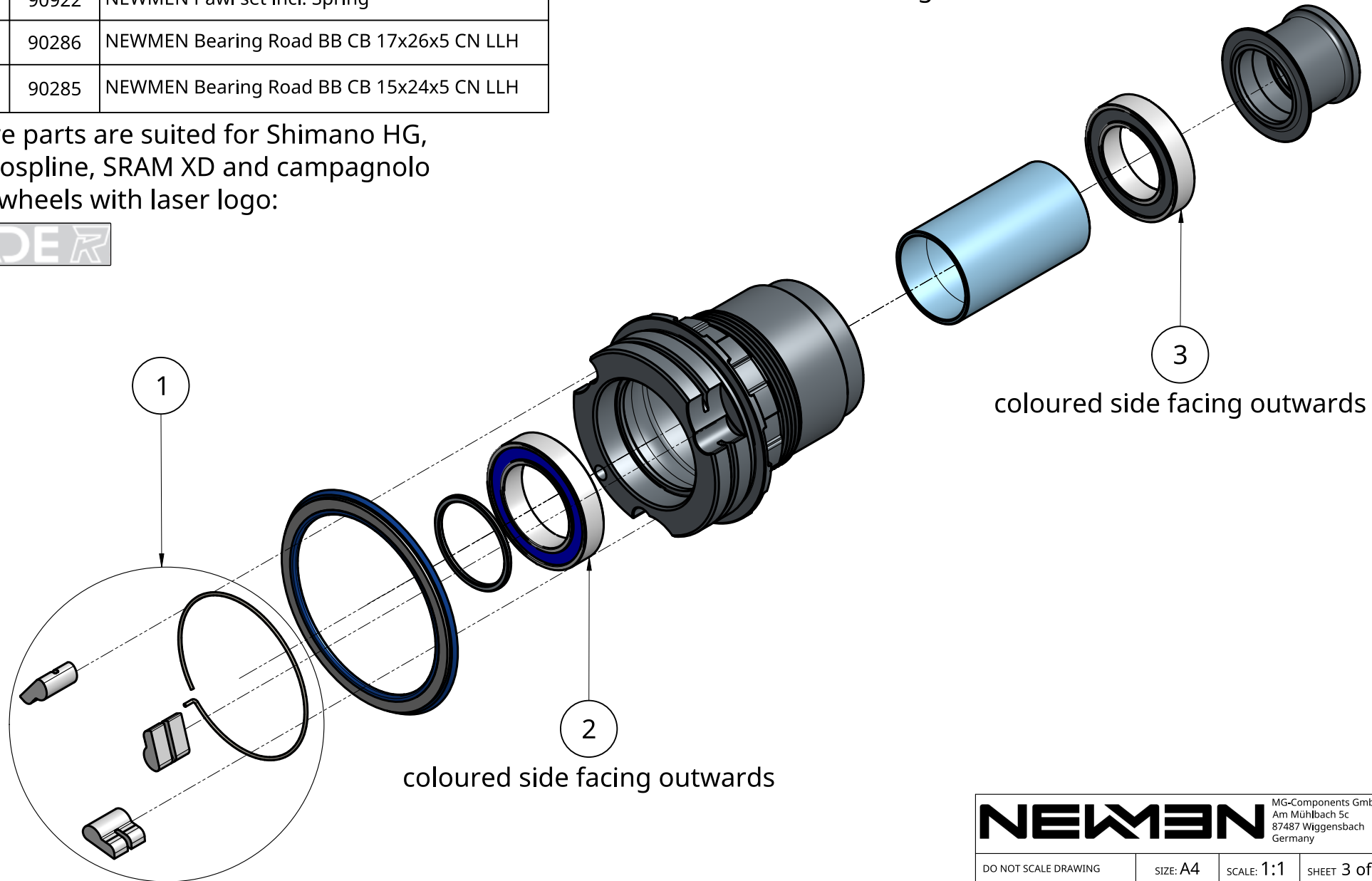
## NEWMEN freewheel FADE R spare parts

POS	ITEM	Description
1	90922	NEWMEN Pawl set incl. Spring
2	90286	NEWMEN Bearing Road BB CB 17x26x5 CN LLH
3	90285	NEWMEN Bearing Road BB CB 15x24x5 CN LLH

spare parts are suited for Shimano HG, Microspline, SRAM XD and campagnolo freewheels with laser logo:



Recommended tools for hub service:  
 90166 - NEWMEN Endcap Removal Tool 2  
 90153 - NEWMEN Hub Tooling Set V2



<b>NEWMEN</b>		MG-Components GmbH & Co. KG Am Mühlbach 5c 87487 Wiggensbach Germany	
DO NOT SCALE DRAWING	SIZE: A4	SCALE: 1:1	SHEET 3 of 3
Alle Informationen unter Vorbehalt. Wir behalten uns Änderungen vor All information subject to change. We reserve the right to make changes			drawing date: 2023-12-14